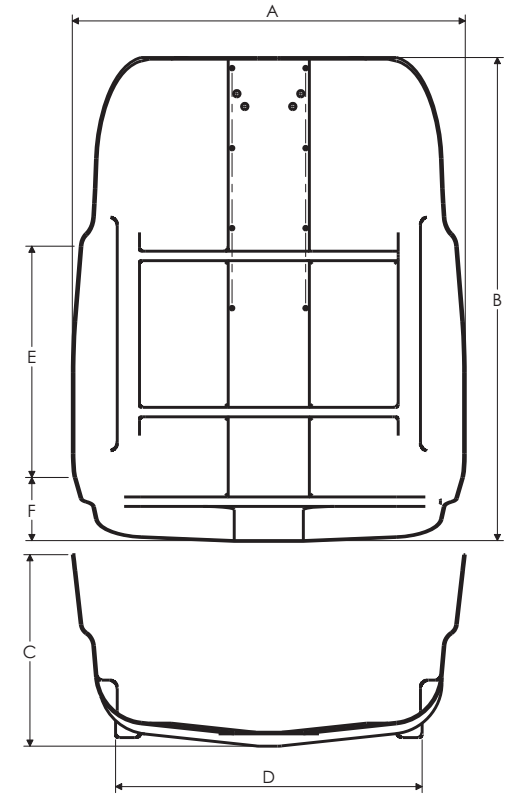
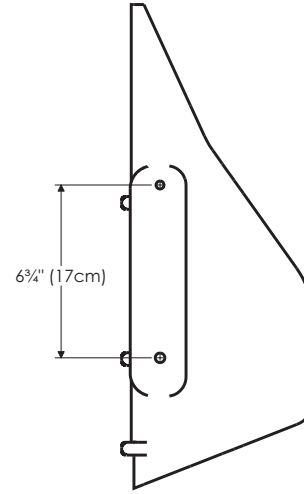
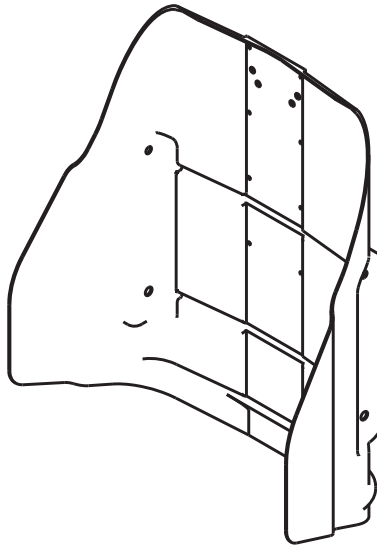


INVACARE®

Matrix® PB Deep

Back



MODEL NO.	A		B		C		D		E		F		TRUNK WIDTH		CUSHION		OVERALL WIDTH		OVERALL HEIGHT		OVERALL DEPTH		BACK WEIGHT	
													WITH CUSHION		DEPTH		WITH CUSHION		WITH CUSHION		WITH CUSHION		(W/O HDWR)	
	in	cm	in	cm	in	cm	in	cm	in	cm	in	cm	in	cm	in	cm	in	cm	in	cm	in	cm	lbs	kgs
PBD1412	12	31	11	28	7½	19	8½	21½	7½	19	1½	4	12	31	7	18	14	36	12	31	9	23	3.2	1.5
PBD1416	12	31	15	38	7½	19	8½	21½	9	23	2½	6½	12	31	7	18	14	36	16	41	9	23	4.0	1.8
PBD1612	14	36	11	28	7½	19	11	28	7½	19	1½	4	14	36	7	18	16	41	13	33	9	23	3.6	1.6
PBD1616	14	36	16	41	7½	19	11	28	9	23	2½	6½	14	36	7	18	16	41	17½	44½	9	23	4.6	2.1
PBD1620	14	36	20	51	7½	19	11	28	12	31	3	7½	14	36	7	18	16	41	21	53	9	23	5.2	2.4
PBD1712	15	38	11	28	7½	19	12	31	7½	19	1½	4	15	38	7	18	17	43	13	33	9	23	3.9	1.8
PBD1716	15	38	16	41	7½	19	12	31	9	23	2½	6½	15	38	7	18	17	43	17½	44½	9	23	4.9	2.2
PBD1720	15	38	20	51	7½	19	12	31	12	31	3	7½	15	38	7	18	17	43	21	53	9	23	5.6	2.5
PBD1812	17	43	11	28	7½	19	13	33	7½	19	1½	4	16	41	7	18	18	46	13	33	9	23	4.2	1.9
PBD1816	17	43	16	41	7½	19	13	33	9	23	2½	6½	16	41	7	18	18	46	17½	44½	9	23	5.2	2.4
PBD1820	17	43	20	51	7½	19	13	33	12	31	3	7½	16	41	7	18	18	46	21	53	9	23	6.0	2.7
PBD2012	19	48	11	28	7½	19	15	38	7½	19	1½	4	18	46	7	18	20	51	13	33	9	23	4.8	2.2
PBD2016	19	48	16	41	7½	19	15	38	9	23	2½	6½	18	46	7	18	20	51	17½	44½	9	23	5.8	2.6
PBD2020	19	48	20	51	7½	19	15	38	12	31	3	7½	18	46	7	18	20	51	21	53	9	23	6.6	3.0